



▶ FEATURES AND BENEFITS
ADA / BARRIER- FREE
COMPLIANCY 1



▶ SPECIFICATIONS
ADVANT AGES
APPLICATIONS2
CUT SHEETS3



▶ INSTALLATION
LAMP REPLACEMENT
PARTS AND SERVICE4

Lit Signage TechniSnap

TECHNICAL SPECIFICATONS
INSTRUCTION SHEET
AND USER GUIDE

Our most popular lit sign, the easy open snap front provides the fastest and simplest graphic changes.

Features and Benefits

- Designed with clean and simple lines, this sign does not have any visible screws!
- Signs can be butt against each other or flush mounted, with no additional space required.
- All four sides can be opened allowing easy graphic changes.
- The easy to install wall bracket saves you time and money.
- The poster acrylic / face sandwich allows you to simply replace your graphic by sliding it between the face materials without the need for tools!
- Manufactured from durable aluminum extrusion, this sign also has venting to prevent fogging and overheating of the sign's interior. This feature prolongs ballast life, saving you money.
- The slim profile of 3.5" meets all ADA and "barrier free" building codes, reducing the possibility of injury.
- Using TechniTwin light fixtures allows a slim profile with minimal hot spots or striping, and our long life cool running T5 lamps and electronic ballast will save up to 30% more energy than conventional fluorescent systems, while providing a brighter sign.



Barrier-free / American Disability Act

What is ADA? "Barrier-free" legislation has been adopted by all levels of government in both Canada and the United States. People who are visually impaired or physically handicapped are protected by this legislation. The basic common tenet of the Act concerns the maximum allowable protrusion of any material, including signs, to be no greater than 4" from a wall surface in a public access area. As most signage of the past is greater than 4" in depth, this new legislation would render them as illegal projections. The only exception to this would be their placement above head level. There are various other requirements in signage, however it is this challenge that the sign industry is increasingly required to meet. TechniLite Systems one sided signage products meet and exceed this criterion.



- ▶ SPECIFICATIONS
- ADVANTAGES
- APPLICATIONS

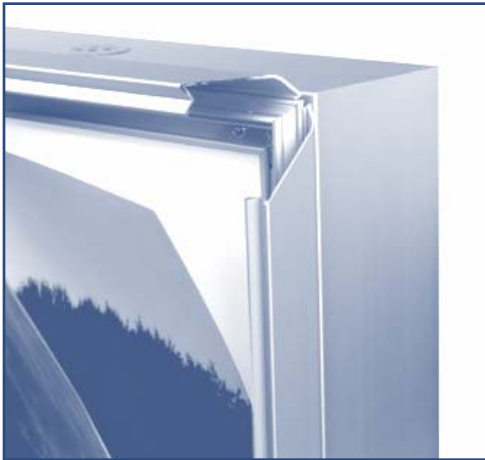
Specifications TechniSnap

SPECIFICATIONS

Part	Description
frame	aluminum extrusion
vent	aluminum / plastic
face	acrylic PET "G" polycarbonate
back pan	white metal
venting	side or top
frame finish	anodized, black powder coated or custom colours
lighting	lit by T5 TechniTwin fixture (or non-lit)
lamp colour	830K, 835K, 840K, 841K, 865K
voltage	120v, 220v, 277v or 347v
power in	hardwired or 3 wire plug
transition box	transition box - w/rocker switch

ADVANTAGES

- barrier free/ADA compliant
- slim profile 3 1/2" deep
- electronic ballast
- no visible screws or hinges
- venting to prevent fogging and overheating of sign interior
- snap front opens on all sides
- black or anodized aluminum extrusions in stock (custom colours available)
- available lit or non-lit; energy efficient T5 lamps
- acrylic or polycarbonate face
- minimal striping
- one or two sided
- ease of installation saving you time and money
- Peace of mind, our 1.800.730.5853 toll free help and info line provides instant site to manufacturer help, saving you time and money



APPLICATIONS

- theatres, cinemas
- libraries, schools
- public spaces
- transit stations
- directories
- video stores

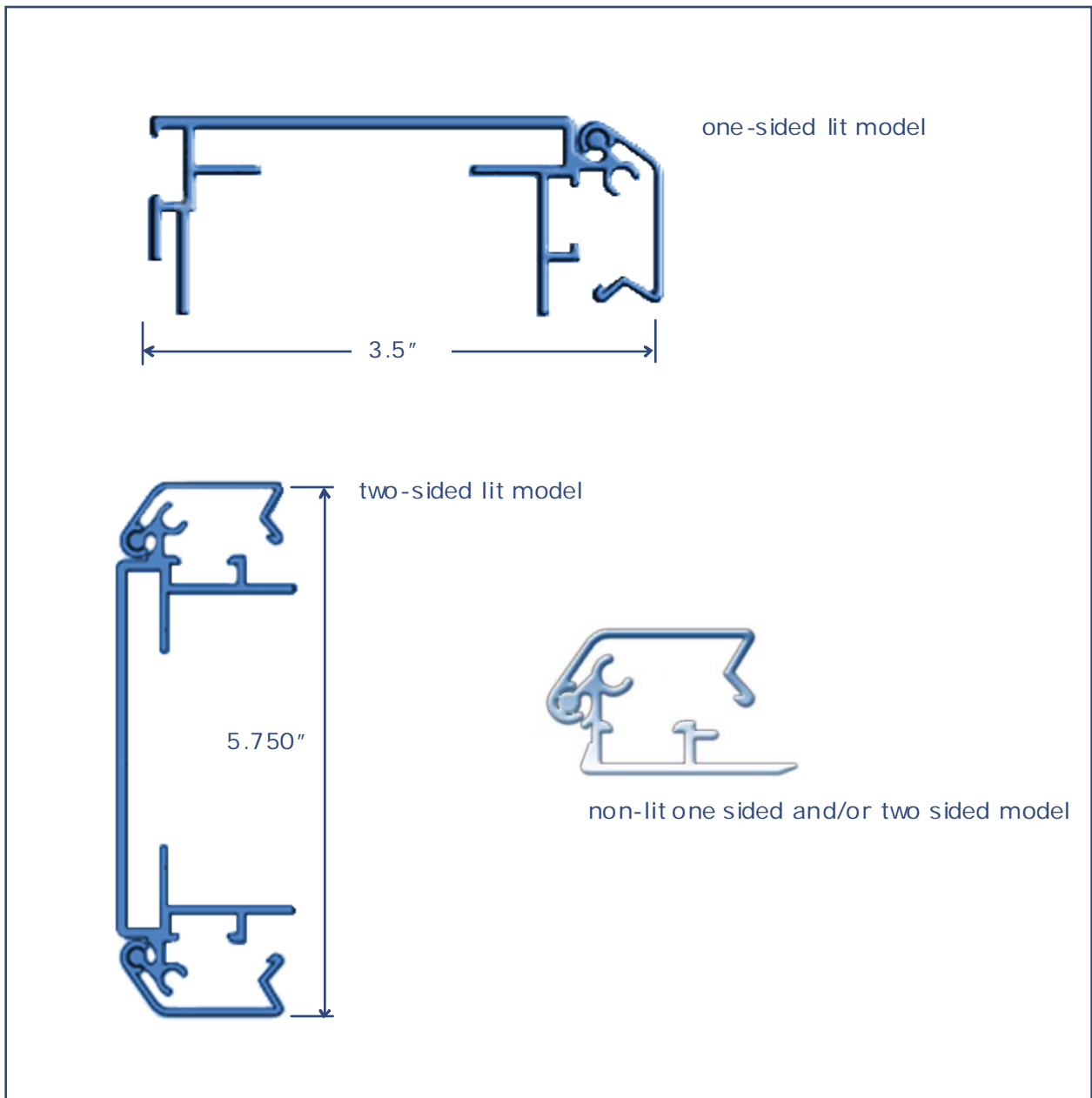


- ▶ CUT SHEET
- ONE-SIDED MODEL
- TWO-SIDED MODEL
- NON-LIT MODEL

Specifications

TechniSnap

CUT SHEET





► INSTALLATION INSTRUCTIONS
LAMP REPLACEMENT
PARTS AND SERVICE

Use and Care TechniSnap

INSTALLATION

Tools required: Philips screwdriver, small level, tape measure

1. Locate the top and centre where you want the sign to hang.
2. Measure down 1 3/4" and scribe a level line approximately 4" on either side of the centreline.
3. Place mounting bracket against the wall with bottom (holed flange) down and on the level line.
4. Mark centre of both holes.
 - For drywall or plaster then use wall anchor (not provided) (simply screw into wall with Philips bit)
 - For solid wood simply screw into place with wood screws (not provided)
 - For masonry use rawl plug or tap-con or other typical fastener. (not provided)
5. Screw bracket into place with screws (not provided)
6. Centre sign to desired location.
7. Should you wish the sign to be immovable remove clear and white acrylic and then drill 2 holes through the back pan near bottom into the wall.
8. Remove sign and add wall anchors (not provided) if required.
9. Replace sign and fix screws into place.
10. Pull out white and clear sheet acrylic sandwich. Note: If your sign is plugged in but not lit, a power switch is located on the centre bar near the ballast.
11. Remove protective coating from outer clear acrylic face.
12. Place graphic between sandwich (*note: if graphic is larger than acrylic then use acrylic as a template and trim graphic with razor knife*).
13. Replace sandwich into slots and close top or side.

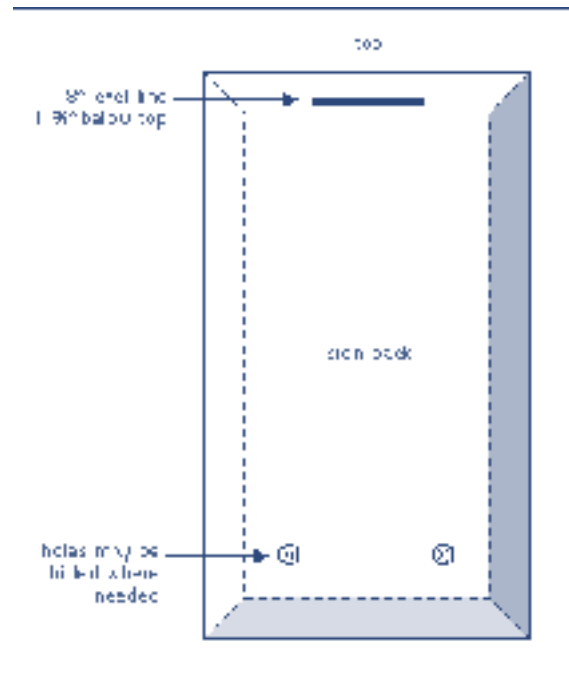
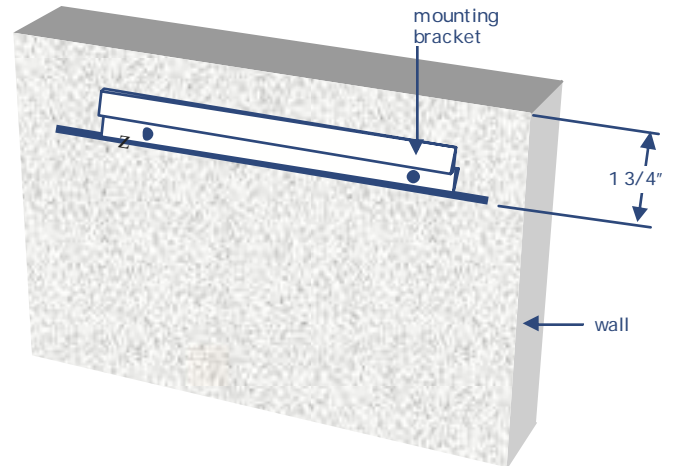
Note: You may install sign through sign back as per any cabinet installation i.e.: locating studs and transfer stud locations onto sign back, pre-drilling and screwing to wall.

Cleaning

Clean clear polycarbonate and acrylic with warm water and a soft clean cloth. Caution: do not use petroleum based or abrasive cleaners on non-glass faces.

LAMP REPLACEMENT

Ensure power is off, and then remove lamp by rotating it 90°, unlocking it from the fixture. Replace lamp with same wattage, and lock into place by rotating the lamp 90°.



PARTS AND SERVICE

We pride ourselves in our commitment to quality and reliability in all of our products. Our TechniSnap signs are warranted to be free of defect in workmanship for a period of one year. Ballasts are replaced by changing out whole fixture. Replacement lamps are readily available and can be ordered directly from TechniLite Systems by calling 1.800.730.5853.