



▶ FEATURES AND BENEFITS
ADA / BARRIER-FREE
COMPLIANCY..... 1



▶ SPECIFICATIONS
ADVANTAGES
APPLICATIONS..... 2
CUT SHEETS 3



▶ INSTALLATION
LAMP REPLACEMENT
PARTS AND SERVICE.. 4

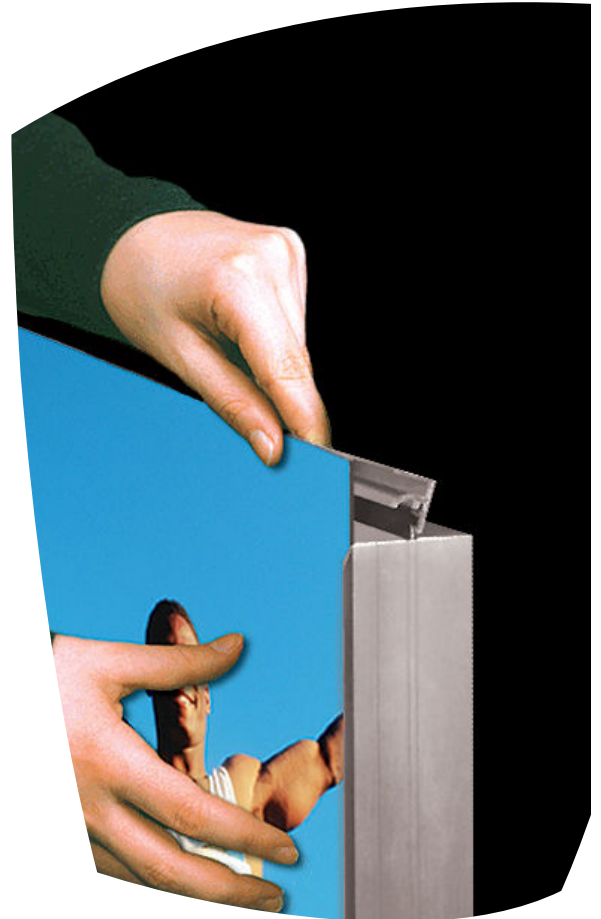
Lit Signage TechniTrim

TECHNICAL SPECIFICATONS
INSTRUCTION SHEET
AND USER GUIDE

This sign offers maximum viewing of your media without sacrificing style.

Features and Benefits

- Designed with clean and simple lines, this sign does not have any visible screws!
- Signs can be butt against each other or flush mounted on three sides with no additional space required.
- Either side (or top , bottom) simply flips open allowing easy graphic changes. The 1/2' frame provides maximum viewing area.
- The easy to install wall bracket saves you time and money.
- The poster acrylic / face sandwich allows you to simply replace your graphic without the need for tools!
- Manufactured from durable aluminum extrusion, this sign also has venting to prevent fogging and overheating of the sign's interior. This feature prolongs ballast life, saving you money.
- The slim profile of 2.375" meets all ADA and "barrier free" building codes, reducing the possibility of injury.
- The TechniTwin lighting fixtures keep a slim profile with minimal hot spots or striping.
- Our long life cool running T5 lamps and electronic ballast will save up to 30% more energy than conventional fluorescent systems.



Barrier-free / American Disability Act

What is ADA? "Barrier-free" legislation has been adopted by all levels of government in both Canada and the United States. People who are visually impaired or physically handicapped are protected by this legislation. The basic common tenet of the Act concerns the maximum allowable protrusion of any material, including signs, to be no greater than 4" from a wall surface in a public access area. As most signage of the past is greater than 4" in depth, this new legislation would render them as illegal projections. The only exception to this would be their placement above head level. There are various other requirements in signage, however it is this challenge that the sign industry is increasingly required to meet. TechniLite Systems one sided signage products meet and exceed this criterion.



- ▶ SPECIFICATIONS
- ▶ ADVANTAGES
- ▶ APPLICATIONS

Specifications TechniTrim

SPECIFICATIONS

Part	Description
frame	aluminum extrusion
vent	aluminum / plastic
acrylic	1/8 " poster white
back pan	white metal
venting	side or top
frame finish	anodized, or custom colours (special order)
face material	polycarbonate or acrylic
lighting	lit by T5 (or non-lit)
lamp colour	830, 835, 840, 841, 865
voltage	120v, 220v, 277v or 347v
power in	hardwired or 3 wire plug
transition box	transition box - w/rocker switch



APPLICATIONS

- theatres, cinemas
- libraries, schools
- public spaces
- transit stations
- directories
- video stores
- museums

ADVANTAGES

- barrier free/ADA compliant
- electronic ballasts
- available with either T5 or T8 lamps
- minimal striping
- 1/2" edge provides large viewing area
- strong aluminum frame
- no visible screws
- sizes available from 10" x 10" to 3' x 4'
- hinged flip frame on 1 side - easy poster changes
- available in standard anodized aluminum or custom colours
- energy efficient

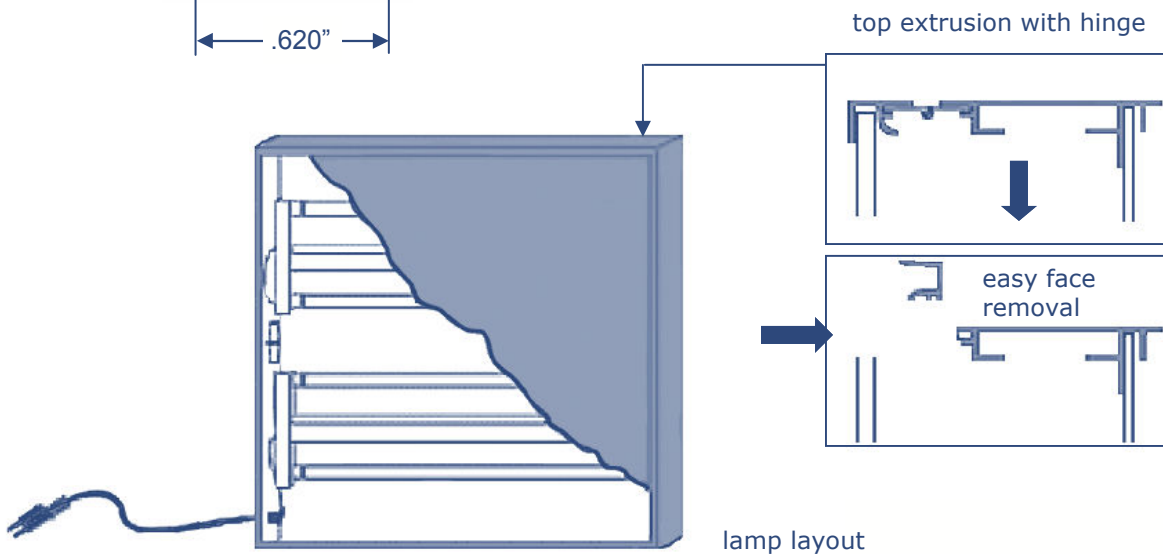
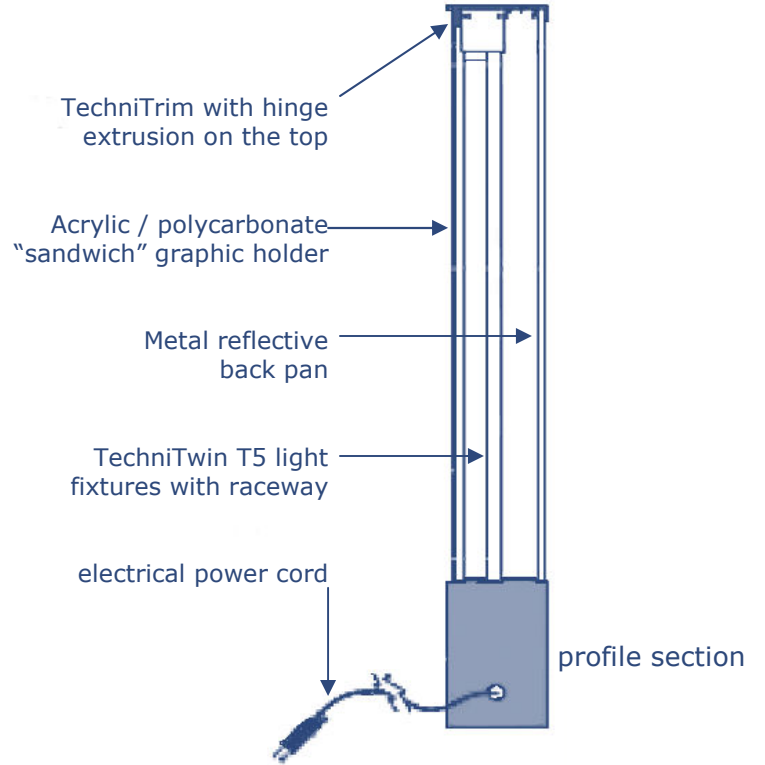
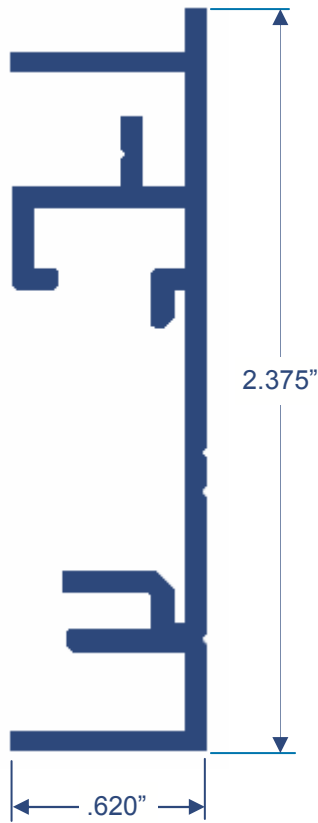


▶ CUT SHEET

Specifications

TechniTrim

CUT SHEET





Use and Care TechniTrim

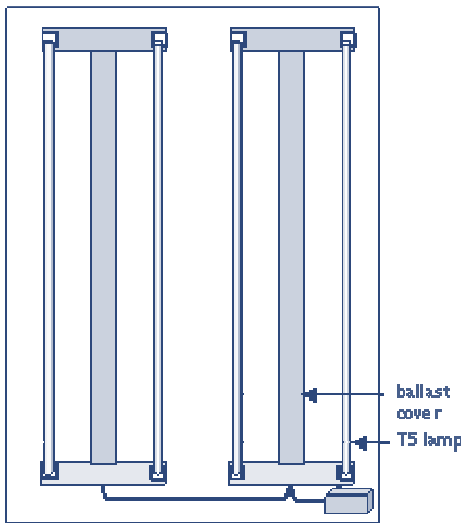
INSTALLATION

Wall mounting

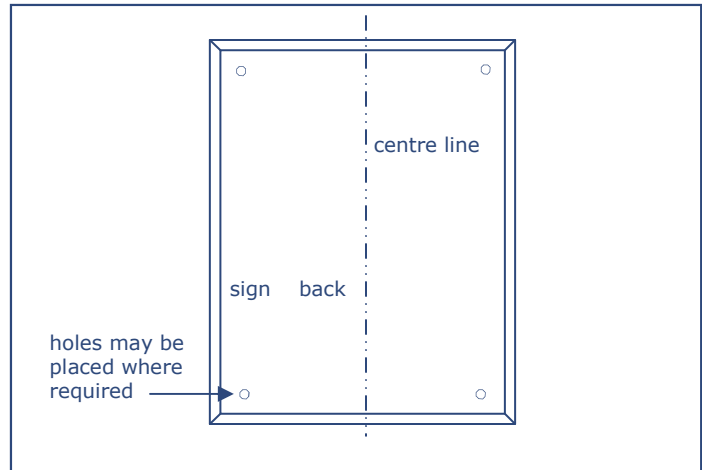
1. Remove the clear and white acrylic through the hinged top or side and then drill holes into wall through the bottom of the back pan.
2. After determining where the supporting studs are located; line up your drill holes with the studs and drill.
3. It is essential that the appropriate screws/lag bolts are used when mounting the sign to the supporting flat surface.
 - if into drywall or plaster use the anchors (not provided) (screw anchors into wall with Phillips screwdriver)
 - if into solid wood simply screw into place using the wood screws (not provided)
 - if into masonry use rawl plugs, tapcon or other similar fastener. (not provided)
4. Once all electrical connections and mechanical mounting work has been completed, insert the T5 lamps and apply power.
5. Reinstall the clear and white acrylic.

Electrical connection (for hardwire installation only)

1. Use the knock-outs provided or drill a hole in the back panel to allow the wire to come through. (Note: this should be done in a way to meet local electrical codes.).
2. Drill the hole close to the knockouts 1/3 or 2/3 of the way toward the ballast enclosure. Ensure the hole is away from where the closest lamp will be located. (Example: 6" in from edge of sign and up 18" for 57" x 32")
3. Feed wires through the knockout.
5. Connect the ground to the ground stud and connect the power wires according to your local electrical codes. Reattach the ballast cover.
6. Insert the T5 lamps and apply power by turning on switch.



To install graphic:



1. Push up the hinged top or side of sign and pull out the white and clear acrylic "sandwich". Note: if your sign is plugged in but not lit, a power switch is located on the centre bar near the ballast.
2. Remove protective plastic film from clear acrylic.
3. Place graphic between sandwich layers. Note: if graphic is larger than acrylic, trim graphic using a razor knife and the acrylic as a template.
4. Replace sandwich into slot and close hinge.

Caution: Use a non-abrasive cleaner to clean the clear acrylic.

LAMP REPLACEMENT

Ensure power is off (unplug cord or turn switch off) and then remove lamp by rotating it 90°, unlocking it from the fixture. Replace lamp with same wattage, and lock into place by rotating the lamp 90°.

PARTS AND SERVICE

We pride ourselves in our commitment to quality and reliability of all our products. Our TechniTrim signs are warranted to be free of defects in workmanship. Ballasts are replaced by changing out whole fixture. Replacement lamps are readily available and can be ordered directly from TechniLite Systems by calling 1.800.730.5853.