

Instructions - Wall Mounting

1. Remove the clear polycarbonate face material using the provided suction cup. Note the location of the #6 screws on each side. (*location will vary by sign*)
2. Remove the access covers: most installations require the removal of only two access covers, we recommend removing the top and bottom covers. The cover will rotate outward once the access screws are removed.
3. Drill a minimum 2 top/ 2 bottom 3/16" pilot holes through the extrusion and affix sign accordingly as conditions warrant.
4. Once the sign is properly installed replace the access covers.

figure 1:

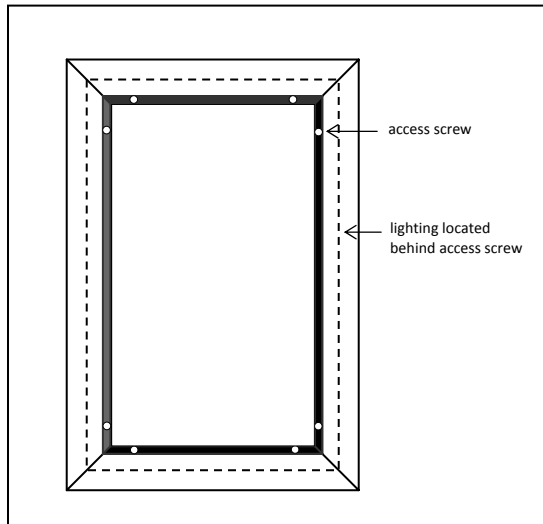
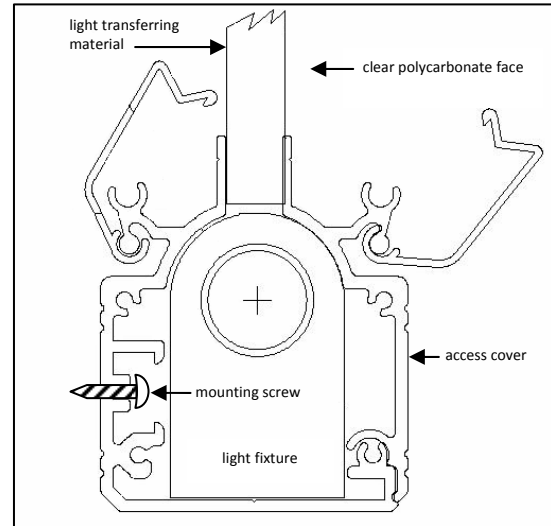


figure 2:



Changing a lamp

1. Remove both the face material and graphic from the sign.
2. Locate the screw on the end cap of sign and remove.
3. Remove the section of sign frame by removing the visible screws of the frame assembly. For one lamp: remove three frame sections for two or more sections: remove all frame sections. This will expose the lamp and reflector assembly which may be removed.
4. Remove the lamp by turning the lamp in either direction. You will feel the lamp "click" at which point you can simply lift out the lamp from the sockets.
5. Insert a new lamp and lock into place by turning the lamp in the sockets. Test lamp and fixture by turning it on.
6. Replace sign frame assembly and secure with screws. Replace the face material.

Removing a fixture

1. Remove both the face material and graphic from the sign.
2. Locate the screw on the end cap of sign and remove.
3. Remove the section of sign frame by removing the visible screws of the frame assembly. For one lamp: remove three frame sections for two or more sections: remove all frame sections. This will expose the lamp and reflector assembly which may be removed.
4. Remove the lamp by turning the lamp in either direction. You will feel the lamp "unclick" at which point you can simply lift out the lamp from the sockets.
5. Remove the light fixture from the sign frame housing.
6. Detach cord(s) as necessary.
7. Install replacement unit ensuring correct male/female plug connection. Test lamp and fixture by turning it on.
8. Replace sign frame assembly and secure with screws. Replace the face material.

Cleaning

Clean acrylic and light transferring materials with warm water and a soft cloth. **Do not use petroleum based or abrasive cleaners.**