

Tools required:

- tape measure
- level
- pencil
- drill with 1/8 and 3/16 bits
- #8 screw driver
- 4 x 2" #8 flat head wood screw (not supplied)
- 2 x 3/16 washers (not supplied)
- rawl plugs (not supplied)

Note: sign may be installed with hinge on left or top.

1. Mark top and centre of sign location on wall.
2. Scribe an 8" line 1 5/8" below top mark through the centre line. (*see fig.1*)
3. Place mounting bracket with hole side against the wall and the bottom of the bracket on top of the scribed line and mount to wall using an appropriate fastener and a washer between the wall and bracket. (Should you require a rawl plug or pre-drilling into masonry, mark holes and prepare for fastening device.) (*see fig.2*)
4. Place locked sign over the installed mounting bracket on the wall.
5. Lower sign until it hooks onto the mounting bracket.
6. Unlock sign using the key provided. Open door to 90 degrees. You will notice 2 holes @ 3/16" diameter on the bottom of the open sign box. Using a #8 head screw, fasten to wall via the 3/16" hole - ensure the sign is snug to wall.
7. Close and lock door using the key provided.

Figure 1:

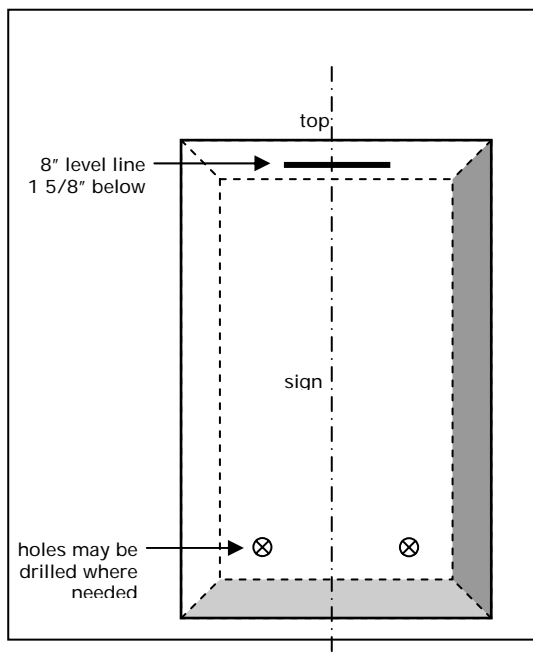


Figure 2:

